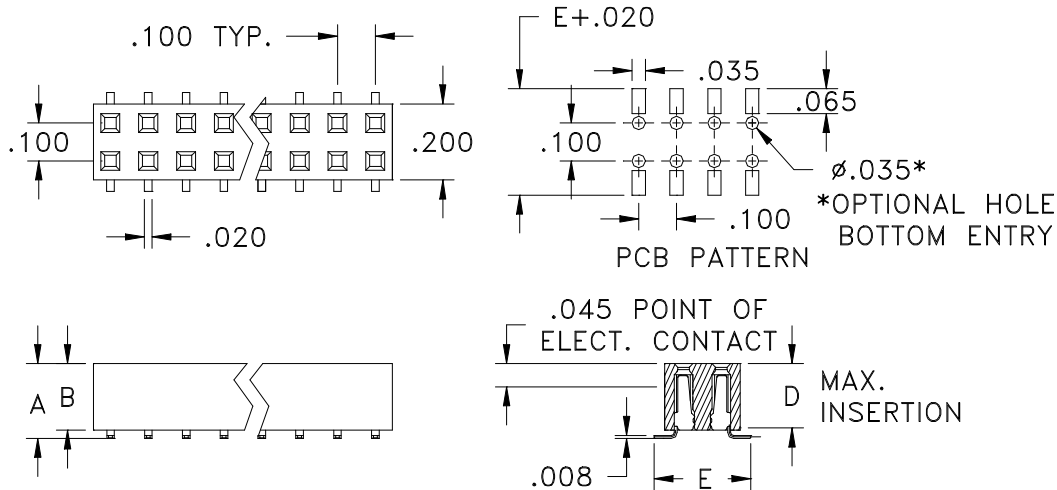


.100	Socket	Double Row –Low Profile Surface Mount	Straight	Surface Mount
-------------	---------------	--	-----------------	----------------------

.100" Center – Double Row Straight – Low Profile - accepting .025 inch Square Pin - SMDSocket



Base Part Number	A		B		C		D		E		Plating Options	Number of Positions
	mm	Inch	mm	Inch	mm	Inch	mm	Inch	mm	Inch		
1153	5.00	0.197	4.44	0.175			4.57	0.180	6.60	0.260	G230lf : G2LF: TLF	2-36

Technical Notes	
Contact Material:	Contact: 2 Finger Stamped – Phosphor Bronze
Insulation Material:	Thermoplastic - UL 94V-0 rated - Black
Temperature Range:	-65°C to 250°C
Insulation Resistance:	5000 MegOhm @ 500VDC
Current Rating:	2 amps continuous @ 100 VDC/contact
Max Processing Temp:	250°C for 60 seconds
Plastic:	High Temperature Plastic
INTERCONNECT SYSTEMS INC.	
741 Flynn Road, Camarillo, Ca 93012 · (805) 482-2870 · fax (805) 482-8470 · e-mail: info@isipkg.com	