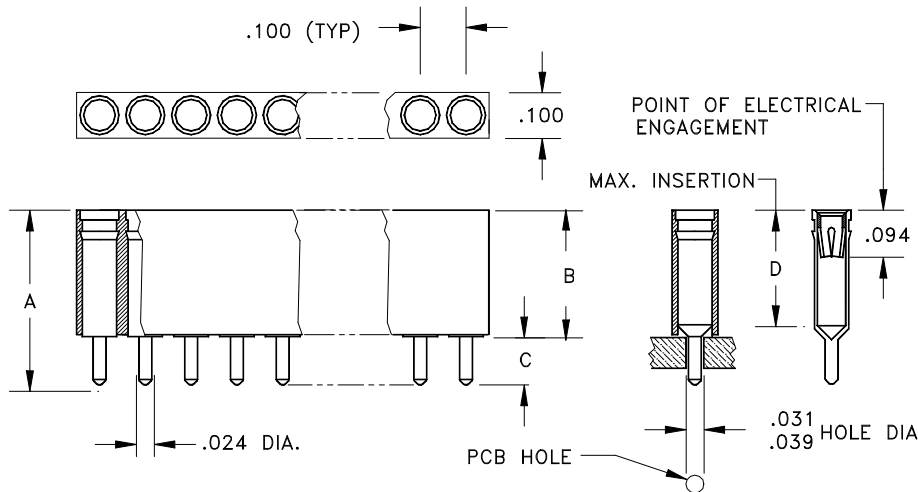


.100	Socket	Single Row – Screw Machine Contacts for .025” pins	Straight	Thru Hole
-------------	---------------	---	-----------------	------------------

.100” Center – Single Row Straight – accepting .025 inch Square Pin – Screw Machine Socket



Base Part Number	A		B		C		D		E		Plating Options	Number of Positions
	mm	Inch	mm	Inch	mm	Inch	mm	Inch	mm	Inch		
1161	10.01	0.394	6.91	0.272	3.10	0.122	5.79	0.228			G2LF: TLF	1-40

Technical Notes	
Contact Material:	Shell: Phosphor Bronze, Contact Clip [#47]: 6 Finger, BeCu
Insulation Material:	Glass Filled Nylon 46 - UL 94V-0 rated - Black (std)
Temperature Range:	-65°C to 250°C
Insulation Resistance:	5000 MegOhm @ 500VDC
Current Rating:	3 amps continuous @ 100 VDC/contact
Max Processing Temp:	250°C for 60 seconds
Plastic:	High Temperature Plastic
INTERCONNECT SYSTEMS INC.	
741 Flynn Road, Camarillo, Ca 93012 · (805) 482-2870 · fax (805) 482-8470 · e-mail: info@isipkg.com	