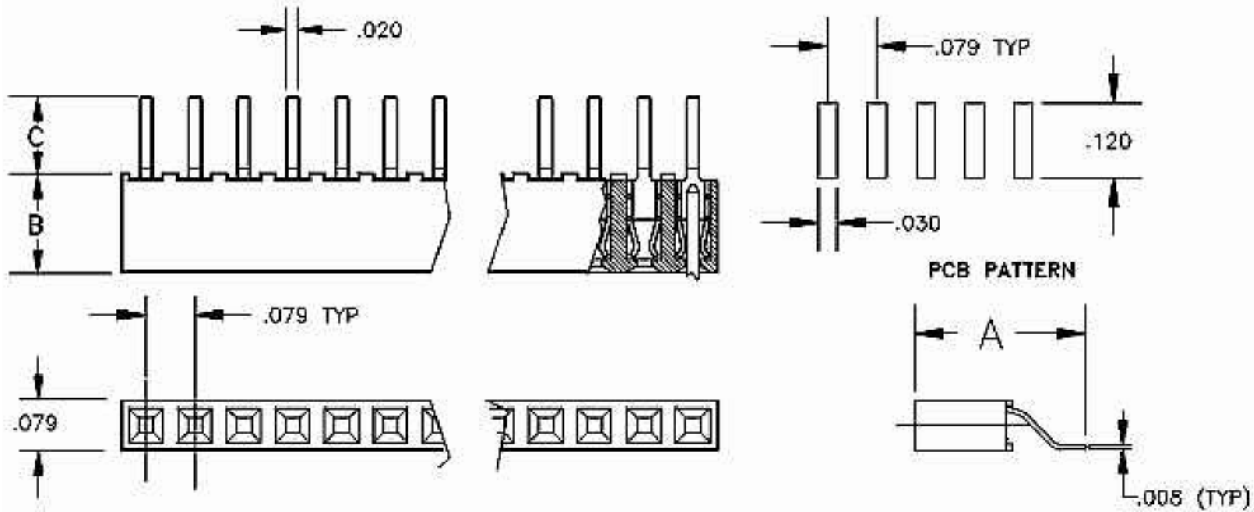


2mm	Socket	Single Row Horizontal Rt Angle	Rt Angle	Surface Mount
-----	--------	--------------------------------	----------	---------------

2mm Center, Single Row Right Angle Surface Mount Socket



Base Part Number	A		B		C		D		E		Plating Options	Number of Postions
	mm	Inch	mm	Inch	mm	Inch	mm	Inch	mm	Inch		
1307	7.04	0.277	3.99	0.157	3.05	0.120					G2LF : TLF	2-50

Technical Notes	
Contact Material:	Contact: Stamped, Stamped, Phosphor Bronze
Insulation Material:	Glass Filled Nylon 46 - UL 94V-0 rated - Black (std)
Heat Deflection:	260°C @ 264 PSI per ASTM D648
Temperature Range:	-65°C to +250°C
Insulation Resistance:	5000 MegOhm @ 500VDC
Current Rating:	1 amps continuous @ 100 VDC/contact
Max Processing Temp:	250°C for 60 seconds
Insertion Force:	142 grams(5.0oz)(typ initial w/ .020”sq pin)
Extraction Force:	80 grams(2.8oz)(typ initial w/ .020”sq pin)
Plastic:	High Temperature Plastic
INTERCONNECT SYSTEMS INC.	
741 Flynn Road, Camarillo, Ca 93012 · (805) 482-2870 · fax (805) 482-8470 · e-mail: info@isipkg.com	