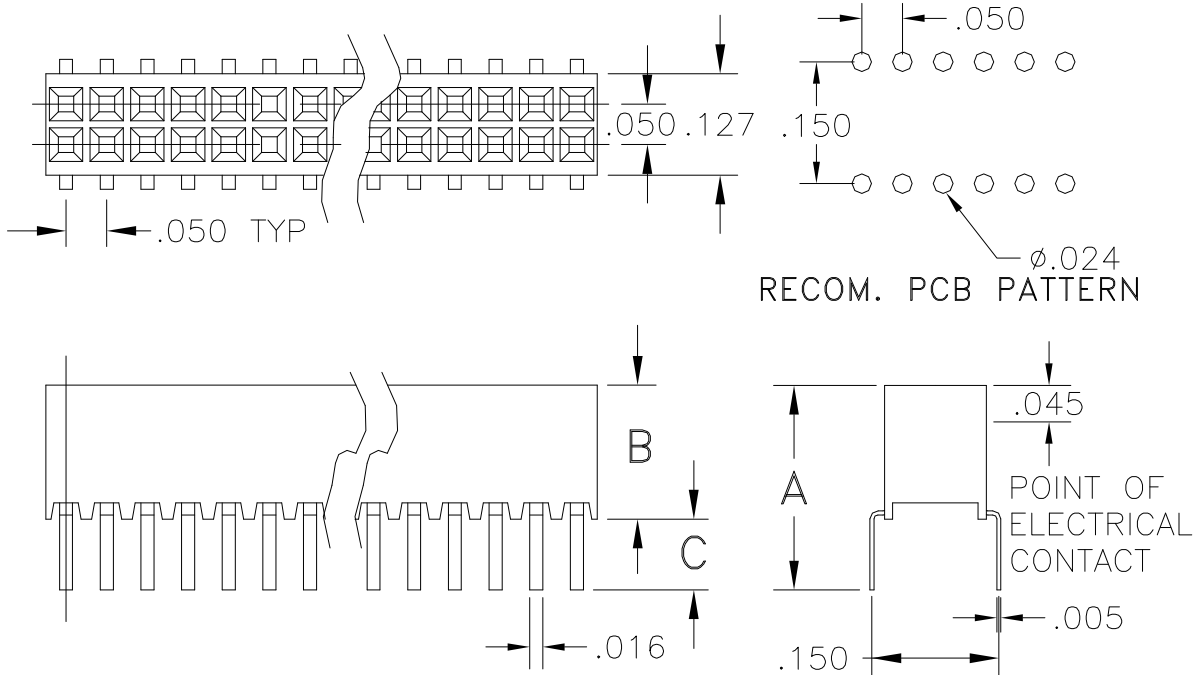


<b>.050</b>	<b>Socket</b>	<b>Double Row Bottom Entry</b>	<b>Straight</b>	<b>Thru Hole</b>
-------------	---------------	--------------------------------	-----------------	------------------

.050 inch Center - Double Row Straight - Bottom Entry Socket



Base Part Number	A		B		C		D		E		Plating Options	Number of Postions
	mm	Inch	mm	Inch	mm	Inch	mm	Inch	mm	Inch		
<b>1478</b>	6.40	0.252	4.19	0.165	2.21	0.087					G2LF	4-120

Technical Notes	
<b>Contact Material:</b>	Contact: Stamped - <b>BeCu</b>
<b>Insulation Material:</b>	Glass Filled Nylon 46 - UL 94V-0 rated - Black (std)
<b>Heat Deflection:</b>	260°C @ 264 PSI per ASTM D648
<b>Insulation Resistance:</b>	5000 MegOhm @ 500VDC
<b>Current Rating:</b>	1 amps continuous @ 100 VDC/contact
<b>Max Processing Temp:</b>	250°C for 60 seconds
<b>Insertion Force:</b>	36 grams(1.3oz) w/.016" sq pin 65 grams(2.3oz) w/ .018" rd pin (typ initial/contact)
<b>Extraction Force:</b>	29 grams(1.0oz) w/.016" sq pin 57 grams(2.0oz) w/ .018" rd pin (typ initial/contact)
<b>Plastic:</b>	High Temperature Plastic
<b>INTERCONNECT SYSTEMS INC.</b>	
741 Flynn Road, Camarillo, Ca 93012 · (805) 482-2870 · fax (805) 482-8470 · e-mail: <a href="mailto:info@isipkg.com">info@isipkg.com</a>	