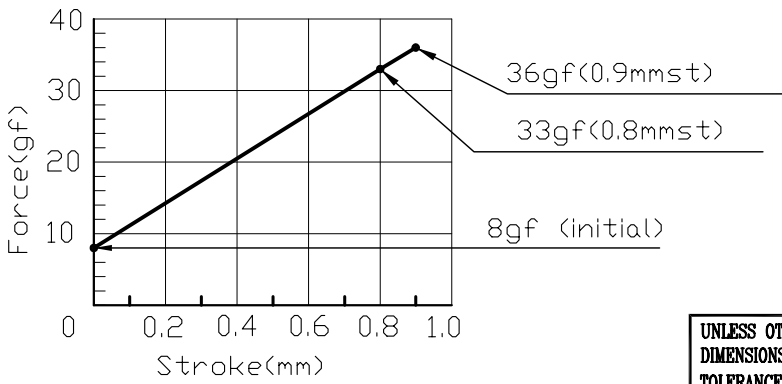
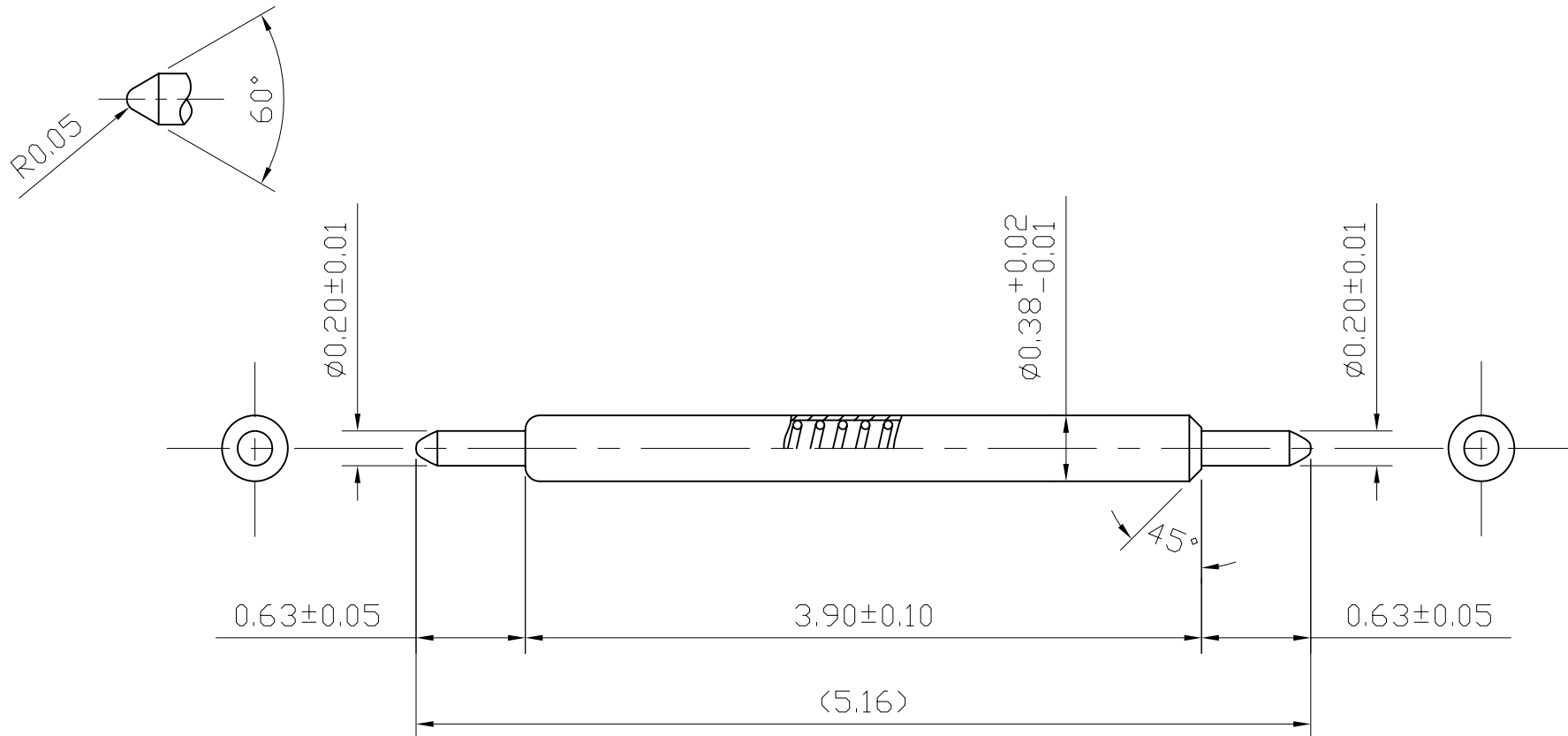


REV	DESCRIPTION	DATE	BY
A	NEW DRAWING	06/27/07	H.N.

SKT2947



**SPECIFICATION:**

Max stroke: 0.90mm  
 Force: 33gf±8gf @ 0.80mm

ALL DIMENSIONS ARE IN MILLIMETERS UNLESS OTHERWISE SPECIFIED

**Emulation Technology, Inc.**  
 — VLSI and SMT ADAPTERS and ACCESSORIES —

2344 Walsh Avenue, Bldg.F  
 Santa Clara, Ca 95051

TEL:(408)982-0660  
 FAX:(408)982-0664

UNLESS OTHERWISE SPECIFIED:  
 DIMENSIONS ARE IN MILLIMETERS

TOLERANCES:  
 DECIMALS ANGLES  
 X ±0.1 ±1°  
 XX ±0.05  
 XXX ±0.030

SHEET: 1 OF 1	DATE: 06/27/07	REVISION: A	<b>ASSEMBLY DRAWING</b>
CHECKED:	DRAWN: H.N.	ITEM: POGO-PIN-5.16-2	
Scale N/A	DO NOT SCALE DRAWING	DESCRIPTION: POGO-PIN-5.16-2	