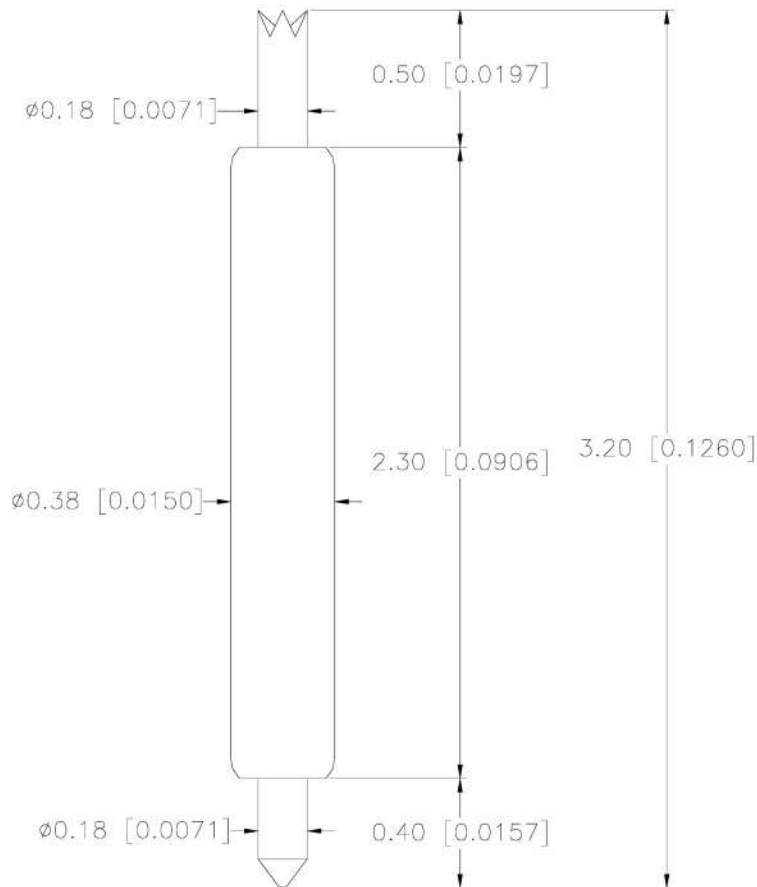


REV	DESCRIPTION	DATE	BY
A	NEW DRAWING	06/13/03	SC

SKT1766
DOD41766



Unit: Millimeter[inch]

#### Spring force

- 9.50g(0.335oz) at initial travel
- 16.00g(0.564oz) at 0.45mm(0.0177) recommended travel
- 18.00g(0.635oz) at 0.57mm(0.0224) full travel

#### Material & Finish

- Plunger Hardened Beryllium copper / Gold Plated
- Barrel Phosphor Bronze / Gold Plated
- Spring Music Wire / Gold Plated

ALL DIMENSIONS ARE IN INCHES UNLESS OTHERWISE SPECIFIED



**Emulation Technology, Inc.**

VLSI and SMT ADAPTERS and ACCESSORIES

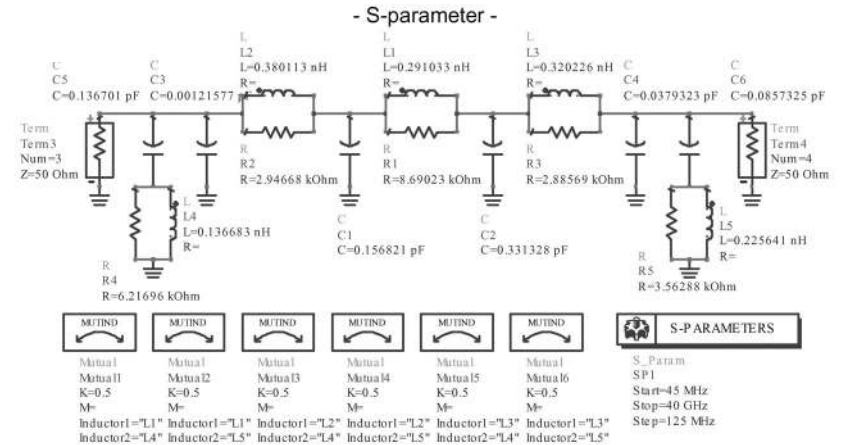
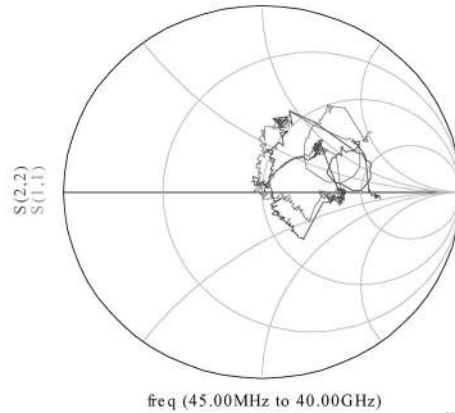
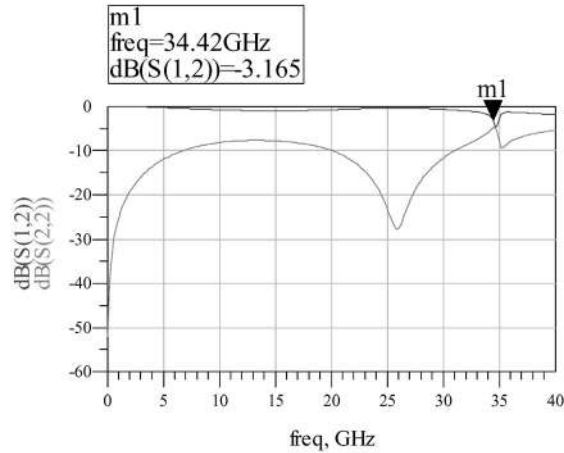
2344 Walsh Avenue, Bldg F  
Santa Clara, CA 95051

TEL: (408) 982-0660  
FAX: (408) 982-0664

SHEET: 1 OF 2	DATE: 6/10/03	REVISION: A	<b>ASSEMBLY DRAWING</b>
CHECKED: Joe Bagliere	DRAWN:	ITEM: POGO-PIN-3.20-1	
SCALED:	DO NOT SCALE DRAWING		DESCRIPTION: POGO-PIN-3.20-1, 0.50mm Pitch

REV	DESCRIPTION	DATE	BY
A	NEW DRAWING	06/13/03	SC

SKT1766
DOD41766



## Electrical Spec.

Current Rating	: 0.5A Continuous
Probe Resistance	: Less than 50mohm
Self Inductance	: 0.99nH
Mutual Inductance	: 0.60nH(K=0.5)
Capacitance	: 0.75pF
Bandwidth	: 34.42GHz
Propagation Delay	: 24.44ps
(Dielectric material)	: ULTEM1000)

ALL DIMENSIONS ARE IN INCHES UNLESS OTHERWISE SPECIFIED			
		<b>Emulation Technology, Inc.</b> VLSI and SMT ADAPTERS and ACCESSORIES	
		2344 Walsh Avenue, Bldg F Santa Clara, CA 95051	TEL: (408) 982-0660 FAX: (408) 982-0664
SHEET: 2 OF 2	DATE: 6/10/03	REVISION: A	<b>ASSEMBLY DRAWING</b>
CHECKED: Joe Bagliere	DRAWN: SC	ITEM: POGO-PIN-3.20-1	DESCRIPTION: POGO-PIN-3.20-1, 0.50mm Pitch
SCALED: N/A	DO NOT SCALE DRAWING		