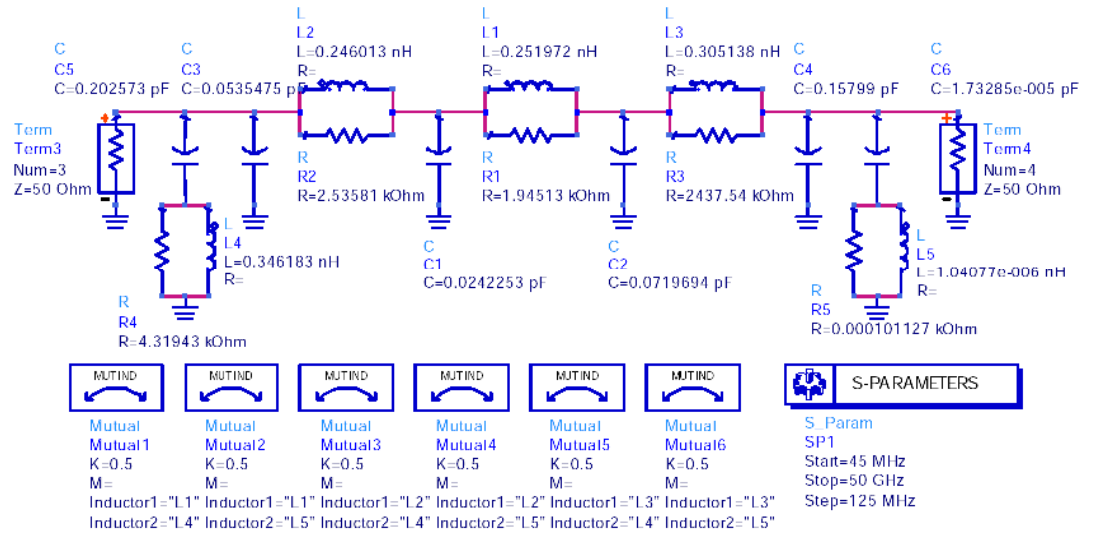
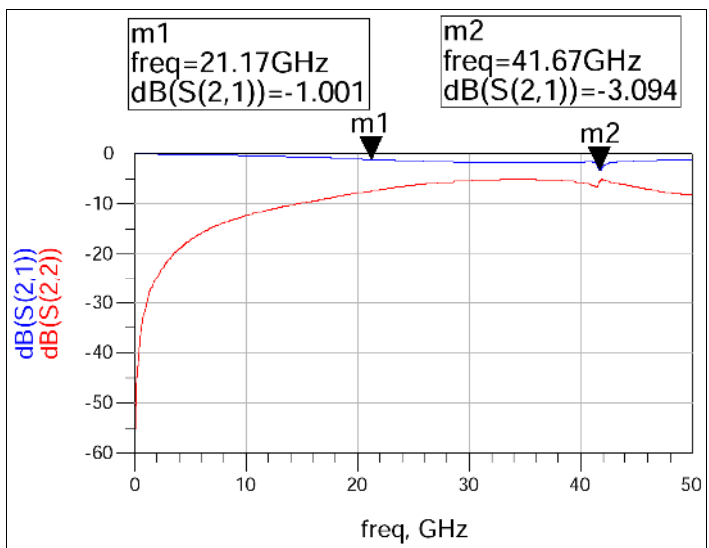
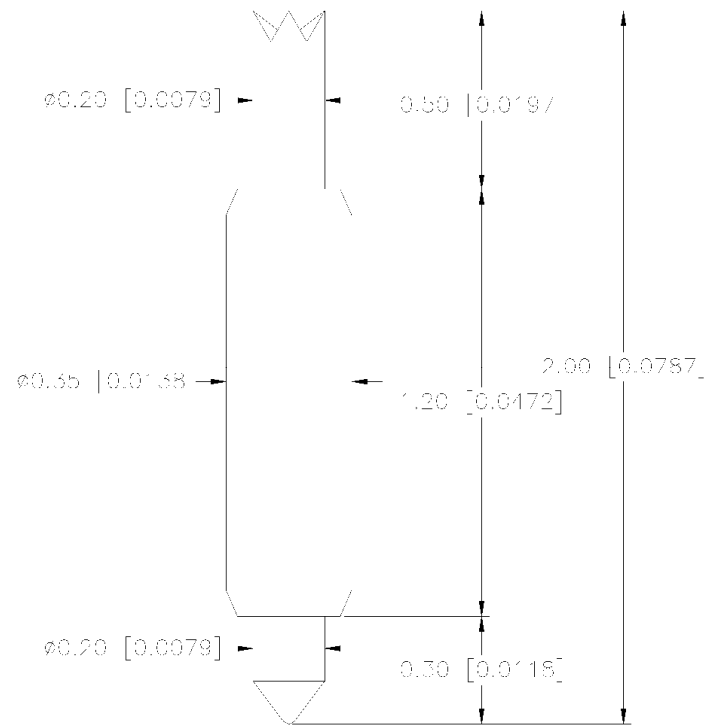


REV	DESCRIPTION	DATE	BY
A	NEW DRAWING	06/13/03	SC
B	UPDATED DWG, ADDED INFO	06/23/11	JAG

SKT1762
DOD41762



Mechanical

- Typical Application
- Pitch Range (minimum)
- Spring Force
- Recommended Travel
- Full Travel
- Temperature*

BGA
0.20mm
18.0gf @ 0.30mm
0.30mm
0.40mm
-40 ~ 120 °C

Electrical

- Self Inductance
- Mutual Capacitance
- Bandwidth @-1dB
- Current Carrying Capability

0.80nH
0.51pF
21.0GHz
1.0A

Material and Plating

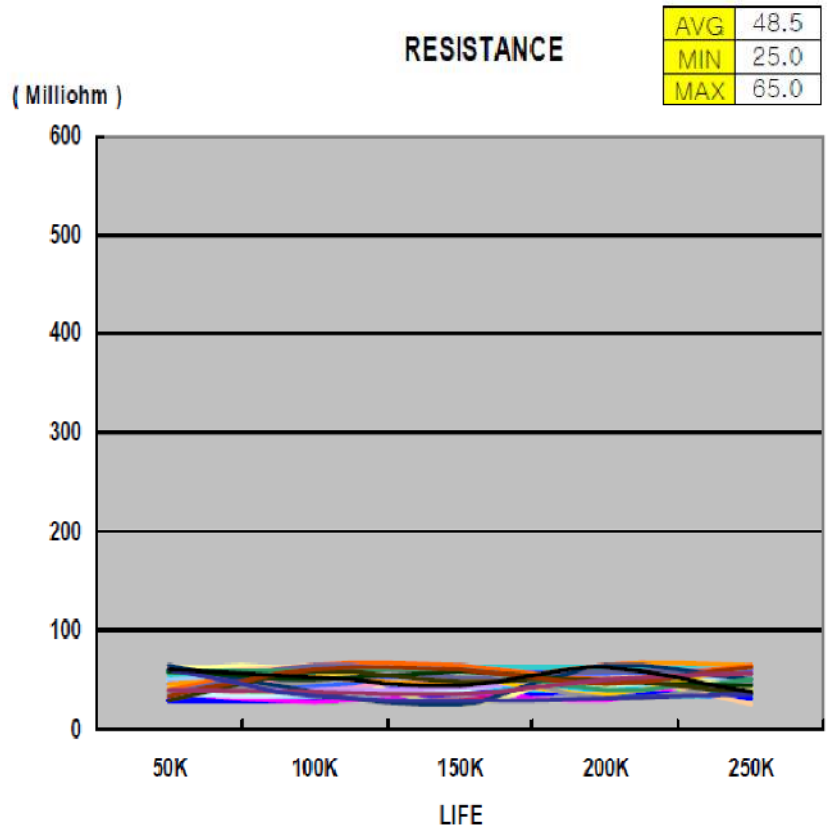
- Plunger-Top
- Plunger-Bottom
- Barrel
- Spring

Hardened BeCu / Au plated
Hardened BeCu / Au plated
Phosphor Bronze / Au plated
Music Wire / Au plated

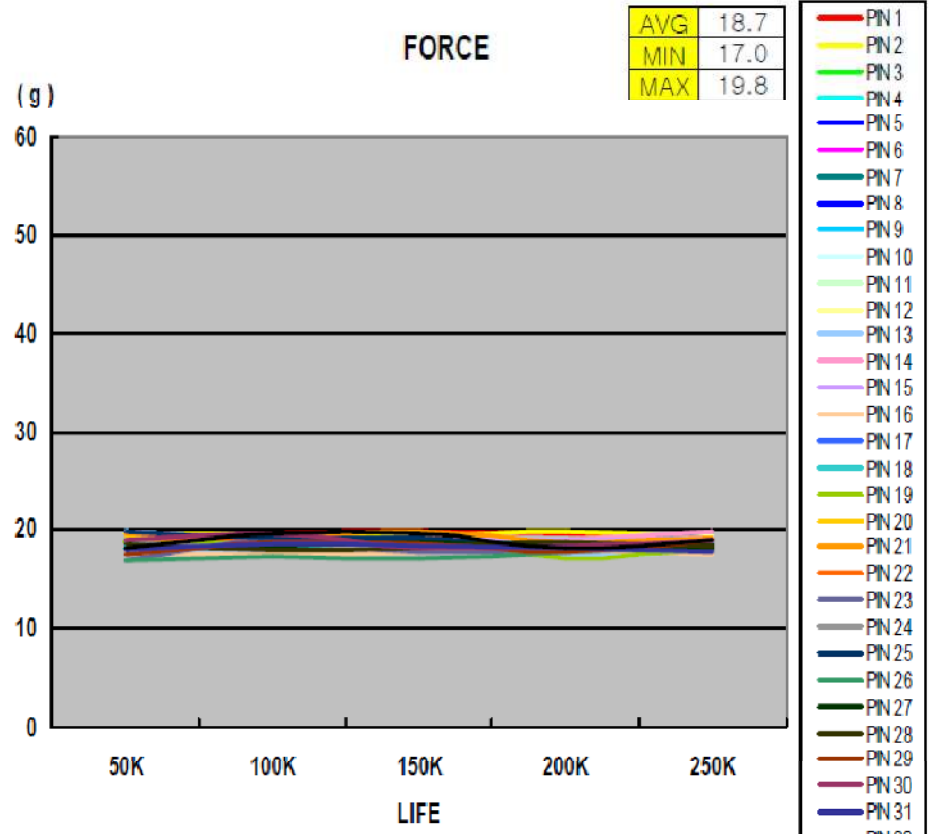
ALL DIMENSIONS ARE IN MILLIMETERS UNLESS OTHERWISE SPECIFIED

		EMULATION TECHNOLOGY, INC. VLSI and SMT ADAPTERS and ACCESSORIES	
		759 FLYNN ROAD CAMARILLO, CA 93012	TEL: (805) 383-8480 FAX: (805) 383-8484
SHEET: 1 OF 2	DATE: 06/23/11	REVISION: B	ASSEMBLY DRAWING
CHECKED:		PREPARED BY: J. GELACIO	ITEM: POGO-PIN-2.00-1
DO NOT SCALE DRAWING			DESCRIPTION: POGO-PIN-2.00-1

LIFE CYCLE TEST



- PIN 1
- PIN 2
- PIN 3
- PIN 4
- PIN 5
- PIN 6
- PIN 7
- PIN 8
- PIN 9
- PIN 10
- PIN 11
- PIN 12
- PIN 13
- PIN 14
- PIN 15
- PIN 16
- PIN 17
- PIN 18
- PIN 19
- PIN 20
- PIN 21
- PIN 22
- PIN 23
- PIN 24
- PIN 25
- PIN 26
- PIN 27
- PIN 28
- PIN 29
- PIN 30
- PIN 31
- PIN 32



- PIN 1
- PIN 2
- PIN 3
- PIN 4
- PIN 5
- PIN 6
- PIN 7
- PIN 8
- PIN 9
- PIN 10
- PIN 11
- PIN 12
- PIN 13
- PIN 14
- PIN 15
- PIN 16
- PIN 17
- PIN 18
- PIN 19
- PIN 20
- PIN 21
- PIN 22
- PIN 23
- PIN 24
- PIN 25
- PIN 26
- PIN 27
- PIN 28
- PIN 29
- PIN 30
- PIN 31
- PIN 32

ALL DIMENSIONS ARE IN MILLIMETERS UNLESS OTHERWISE SPECIFIED

	EMULATION TECHNOLOGY, INC.	
	VLSI and SMT ADAPTERS and ACCESSORIES	
759 FLYNN ROAD CAMARILLO, CA 93012		TEL: (805) 383-8480 FAX: (805) 383-8484
SHEET: 2 OF 2	DATE: 06/23/11	REVISION: B
CHECKED:		PREPARED BY: J. GELACIO
DO NOT SCALE DRAWING		ITEM: POGO-PIN-2.00-1
		DESCRIPTION: POGO-PIN-2.00-1