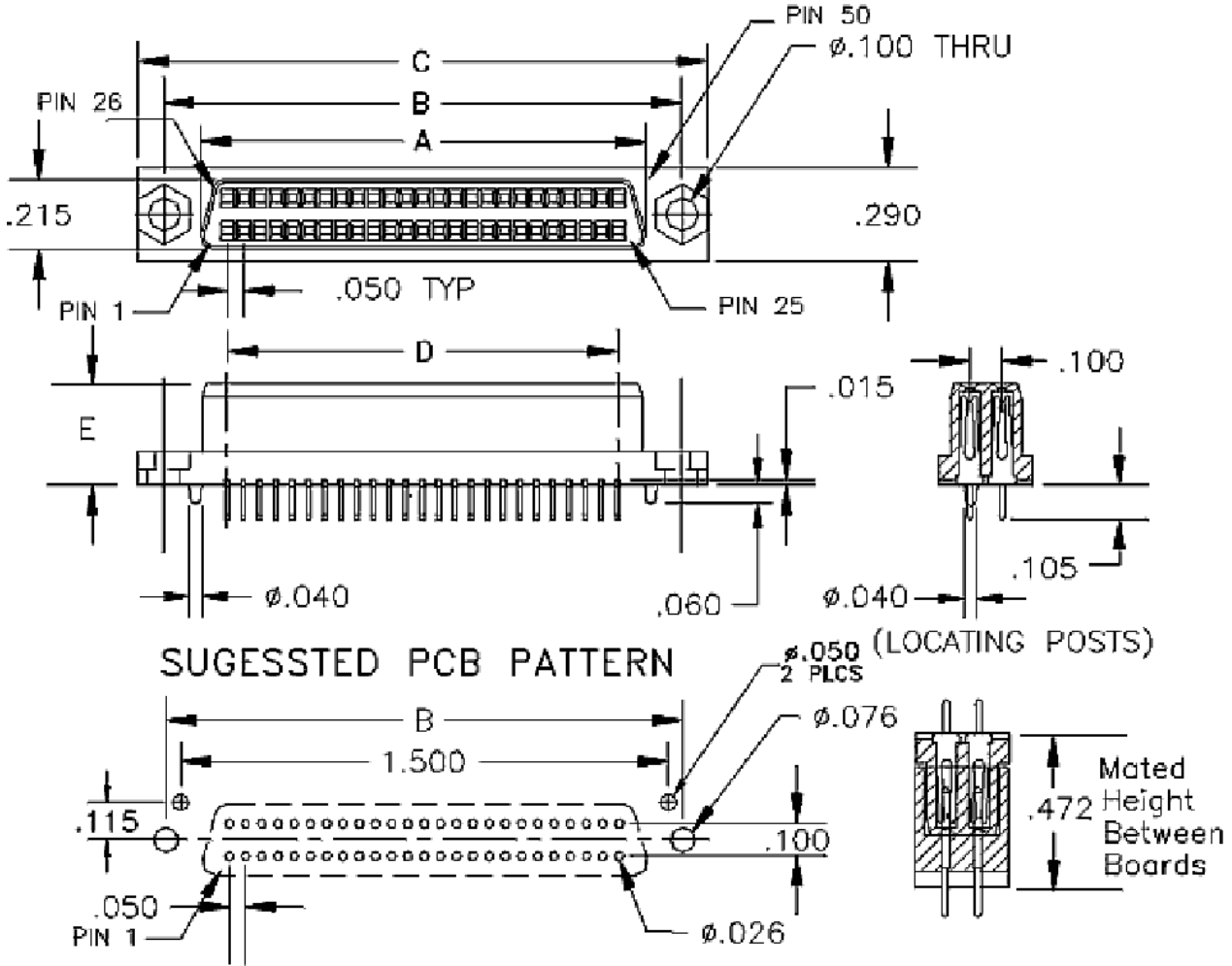


.050	Socket	Industry Pack Module w locating pins	Female	Thru Hole
------	--------	--------------------------------------	--------	-----------

Industry Pack Mezzaine Connector - Female used on IP Module - Thru Hole



Base Part Number	A		B		C		D		E		Plating Options	Number of Postions
	mm	Inch	mm	Inch	mm	Inch	mm	Inch	mm	Inch		
8065 IP Module	34.70	1.366	40.39	1.590	44.45	1.750	30.48	1.200	7.62	0.300	G2LF	50

Technical Notes	
Contact Material:	Contact: Stamped – Phosphor Bronze
Insulation Material:	Glass Filled Nylon 46 - UL 94V-0 rated - Black (std)
Heat Deflection:	260°C @ 264 PSI per ASTM D648
Insulation Resistance:	5000 MegOhm @ 500VDC
Current Rating:	1 amps continuous @ 100 VDC/contact
Max Processing Temp:	250°C for 60 seconds
Insertion Force:	76 grams(2.7oz) w/ .016"x.024" pin (typ initial/contact)
Extraction Force:	46 grams(1.6oz) w/ .016"x.024" pin (typ initial/contact)
Plastic:	High Temperature Plastic
<p><i>INTERCONNECT SYSTEMS INC.</i> 741 Flynn Road, Camarillo, Ca 93012 · (805) 482-2870 · fax (805) 482-8470 · e-mail: info@isipkg.com</p>	