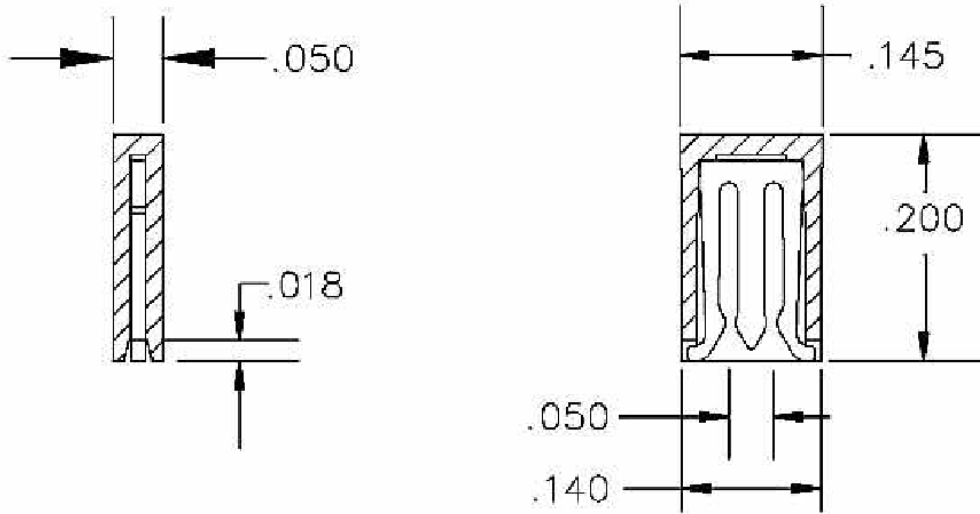


.050"	Jumper	Single Shunt	Insulated	
-------	--------	--------------	-----------	--

.050" Center, Microshunt, Closed Top, Single Jumper



Base Part Number	A		B		C		D		E		Plating Options	Number of Postions
	mm	Inch	mm	Inch	mm	Inch	mm	Inch	mm	Inch		
CTAIJ050-R Red	6.73	0.265	4.19	0.165	2.24	0.088					G : TLF	CLOSED TOP
CTAIJ050 Black (std)	6.73	0.265	4.19	0.165	2.24	0.088					G : TLF	CLOSED TOP
CTAIJ050-G Green	6.73	0.265	4.19	0.165	2.24	0.088					G : TLF	CLOSED TOP
CTAIJ050-W White	6.73	0.265	4.19	0.165	2.24	0.088					G : TLF	CLOSED TOP
CTAIJ050-B Blue	6.73	0.265	4.19	0.165	2.24	0.088					G : TLF	CLOSED TOP

+

Technical Notes	
<b>Contact Material:</b>	Contact: Stamped - BeCu
<b>Insulation Material:</b>	Glass Filled Nylon 46 - UL 94V-0 rated - Black (std)
<b>Heat Deflection:</b>	260°C @ 264 PSI per ASTM D648
<b>Insulation Resistance:</b>	5000 MegOhm @ 500VDC
<b>Current Rating:</b>	1 amps continuous @ 100 VDC/contact
<b>Max Processing Temp:</b>	250°C for 60 seconds
<b>Insertion Force:</b>	82 grams(2.9oz)(typ initial w/ .016"sq pin)
<b>Extraction Force:</b>	48 grams(1.7oz)(typ initial w/ .016"sq pin)
<b>Plastic:</b>	High Temperature Plastic
<b>INTERCONNECT SYSTEMS INC.</b>	
741 Flynn Road, Camarillo, Ca 93012 · (805) 482-2870 · fax (805) 482-8470 · e-mail: <a href="mailto:info@isipkg.com">info@isipkg.com</a>	