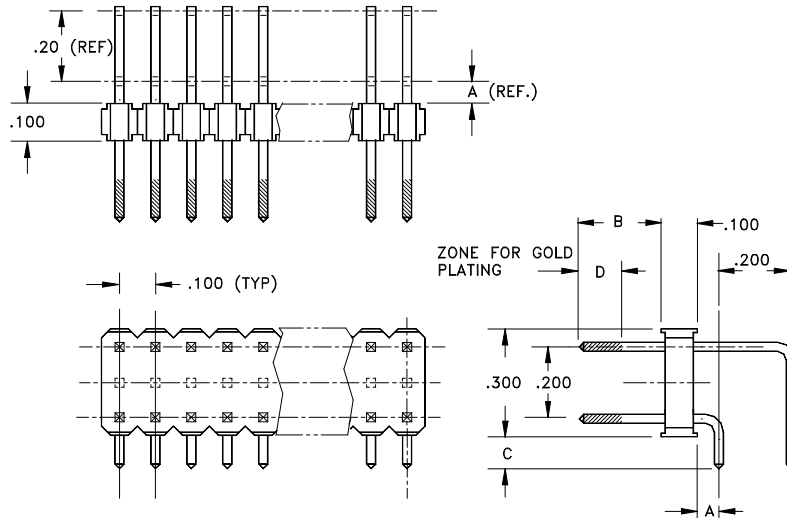


.100	Header	.100 x .200	Rt Angle	Thru Hole
-------------	---------------	--------------------	-----------------	------------------

.100 inch Center - .025 inch Square Pin - .100 x .200 Double Row Right Angle Header



Base Part Number	A		B		C		D		E		Plating Options	Number of Positions
	mm	Inch	mm	Inch	mm	Inch	mm	Inch	mm	Inch		
3650R	1.52	0.060	5.84	0.230	3.05	0.120	5.84	0.230			G2LF : G1 : TLF	2-80
3651R	1.52	0.060	8.08	0.318	3.30	0.130	7.87	0.310			G2LF : G1 : TLF	2-80

Technical Notes	
Contact Material:	Pin: Phosphor Bronze - .025 inch sq pin - burr free both ends
Insulation Material:	Glass Filled Nylon 46 - UL 94V-0 rated - Black (std)
Heat Deflection:	260°C @ 264 PSI per ASTM D648
Insulation Resistance:	5000 MegOhm @ 500VDC
Current Rating:	3 amps continuous @ 100 VDC/contact
Max Processing Temp:	250°C for 60 seconds
Plastic:	High Temperature Plastic
INTERCONNECT SYSTEMS INC.	
741 Flynn Road, Camarillo, Ca 93012 · (805) 482-2870 · fax (805) 482-8470 · e-mail: info@isipkg.com	