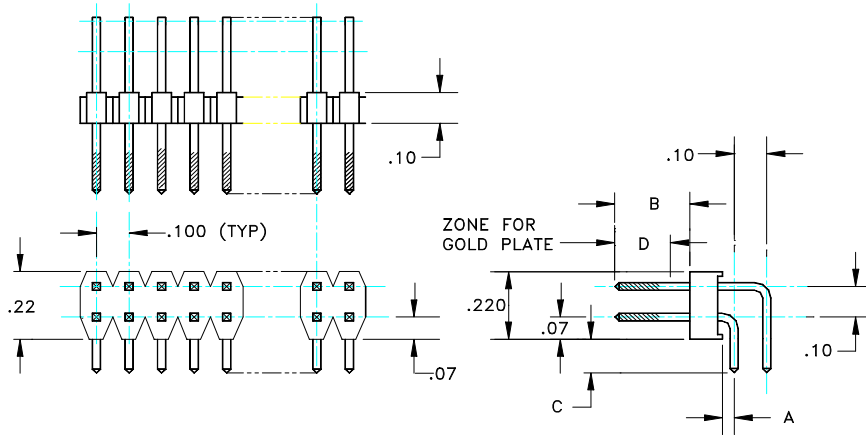


.100"	Header	Double Row - High Stand Off	Rt Angle	Thru Hole
-------	--------	-----------------------------	----------	-----------

.100" Center, .025" Square Pin, High Standoff, Double Row Right Angle Header



Base Part Number	A		B		C		D		E		Plating Options	Number of Positions
	mm	Inch	mm	Inch	mm	Inch	mm	Inch	mm	Inch		
5501R	1.52	0.060	5.84	0.230	5.08	0.200	5.84	0.230			G2LF G1 TLF	4-80
5502R	1.52	0.060	5.84	0.230	7.62	0.300	5.84	0.230			G2LF G1 TLF	4-80
5507R	1.52	0.060	5.84	0.230	2.54	0.100	5.84	0.230			G2LF G1 TLF	4-80
5503R	1.52	0.060	5.84	0.230	10.16	0.400	5.84	0.230			G2LF G1 TLF	4-80
5506R	1.52	0.060	8.08	0.318	7.87	0.310	5.84	0.230			G2LF G1 TLF	4-80
5504R	1.52	0.060	8.08	0.318	2.79	0.110	5.84	0.230			G2LF G1 TLF	4-80
5505R	1.52	0.060	8.08	0.318	5.33	0.210	5.84	0.230			G2LF G1 TLF	4-80

Technical Notes	
<b>Contact Material:</b>	Pin: Phosphor Bronze - .025 inch sq pin - burr free both ends
<b>Insulation Material:</b>	Glass Filled Nylon 46 - UL 94V-0 rated - Black (std)
<b>Heat Deflection:</b>	260°C @ 264 PSI per ASTM D648
<b>Insulation Resistance:</b>	5000 MegOhm @ 500VDC
<b>Current Rating:</b>	3 amps continuous @ 100 VDC/contact
<b>Max Processing Temp:</b>	250°C for 60 seconds
<b>Plastic:</b>	High Temperature Plastic
<b>INTERCONNECT SYSTEMS INC.</b>	
741 Flynn Road, Camarillo, Ca 93012 · (805) 482-2870 · fax (805) 482-8470 · e-mail: <a href="mailto:info@isipkg.com">info@isipkg.com</a>	