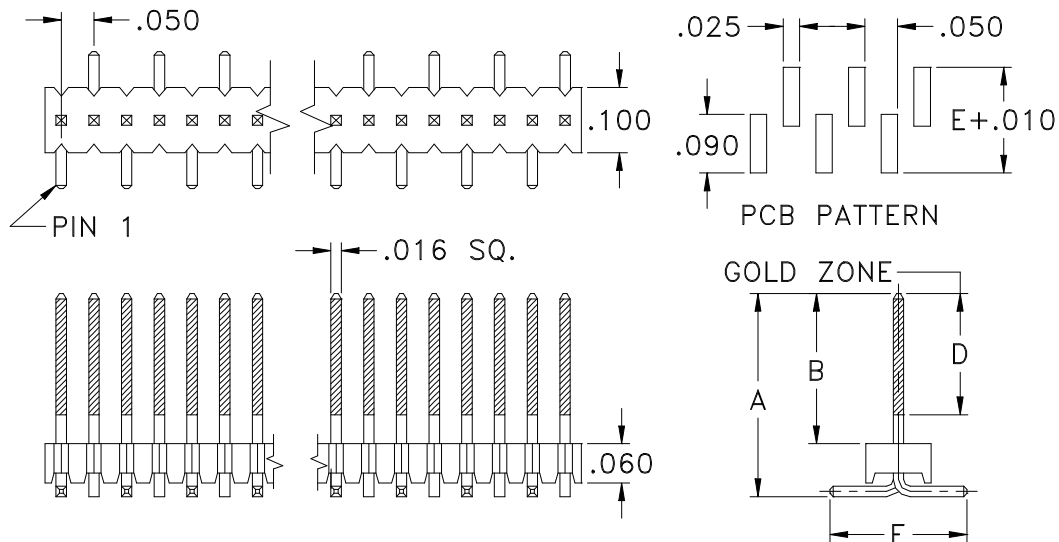


.050	Header	Single Row - .016 Sq. Pin	Straight	Surface Mount
------	--------	---------------------------	----------	---------------

.050" Center, .016" Square Pin, Single Row Straight – Surface Mount Header



To Reverse PCB Footprint, add an "R" to the Part Number

Base Part Number	A		B		C		D		E		Plating Options	Number of Positions
	mm	Inch	mm	Inch	mm	Inch	mm	Inch	mm	Inch		
SM3924 SM3924R R=reversed pcb	4.57	0.180	2.54	0.100			2.54	0.100	4.57	0.180	G2LF: TLF	4-20
SM3927 SM3927R R=reversed pcb	5.46	0.215	3.43	0.135			3.18	0.125	3.56	0.140	G2LF: TLF	4-20
SM3929 SM3929R R=reversed pcb	5.59	0.220	3.56	0.140			3.56	0.140	4.57	0.180	G2LF: TLF	4-20
SM3925 SM3925R R=reversed pcb	7.49	0.295	5.84	0.230			3.56	0.140	5.72	0.225	G2LF: TLF	4-20
SM3926 SM3926R R=reversed pcb	7.49	0.295	5.46	0.215			3.56	0.140	3.81	0.150	G2LF: TLF	4-20
SM3928 SM3928R R=reversed pcb	9.14	0.360	7.37	0.290			3.56	0.140	5.08	0.200	G2LF: TLF	4-20

Technical Notes	
Contact Material:	Pin: Phosphor Bronze - .016”sq pin, drawn wire, burr free both ends
Insulation Material:	Glass Filled Nylon 46 - UL 94V-0 rated - Black (std)
Heat Deflection:	260°C @ 264 PSI per ASTM D648
Insulation Resistance:	5000 MegOhm @ 500VDC
Current Rating:	1 amps continuous @ 100 VDC/contact
Max Processing Temp:	250°C for 60 seconds
Plastic:	High Temperature Plastic
<i>INTERCONNECT SYSTEMS INC.</i> 741 Flynn Road, Camarillo, Ca 93012 · (805) 482-2870 · fax (805) 482-8470 · e-mail: info@isipkg.com	