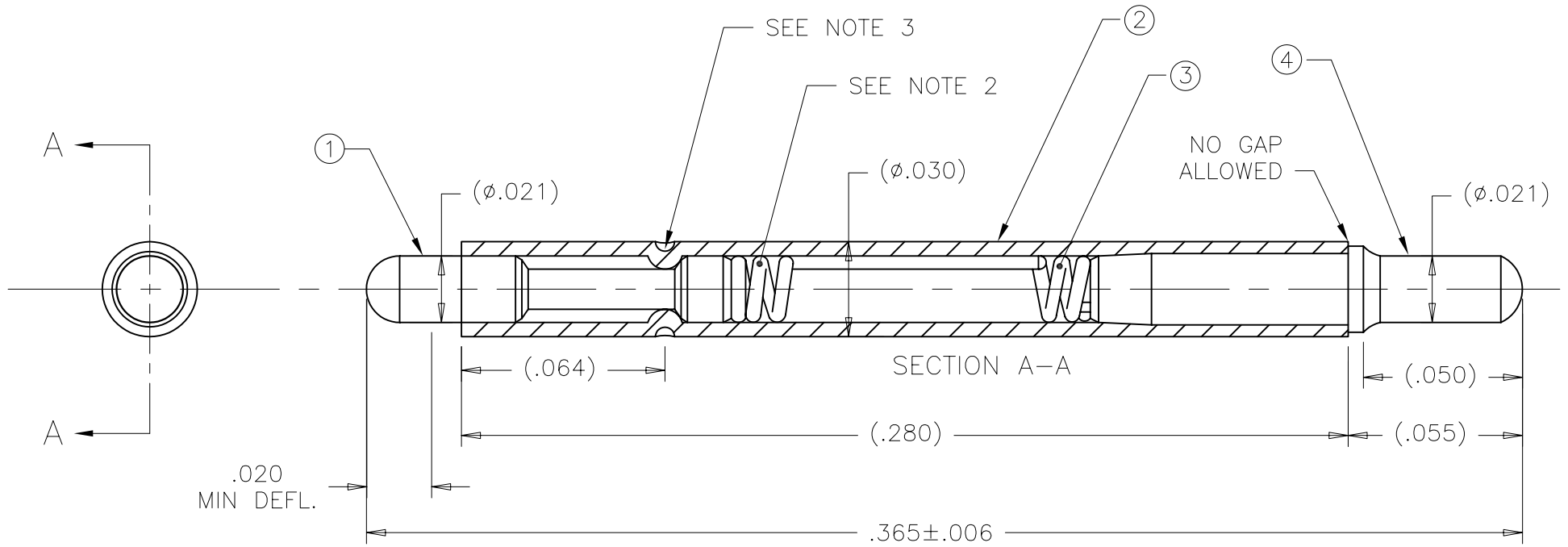


REV	DESCRIPTION	DATE	BY
A	NEW DRAWING	10/29/08	JAG

SKT3187



NOTES:

1. SPRING PRESSURE:
0.6oz INITIAL &
2.0oz @ .020 RECOMMENDED TRAVEL
2. LUBRICATED PER ENGINEERING SPECIFICATION
3. CRIMPED PER PROCEDURE

ITEM	MATERIAL	FINISH	QTY
1	BeCu	Rhodium	1
2	Phos. Bronze	GOLD	1
3	BeCu	GOLD	1
4	BeCu	GOLD	1

UNLESS OTHERWISE SPECIFIED
ALL DIMENSIONS ARE INCHES

TOLERANCES ARE:
.X = ±.03
.XX = ±.015
.XXX = ±.005
.XXXX = ±.0005

TAPER ON ANY DIA. = .002/IN. MAX
ALL CORNER RADII = .005 MAX
ANGLES = ±2°

ALL DIMENSIONS ARE IN INCHES UNLESS OTHERWISE SPECIFIED

ET **EMULATION TECHNOLOGY, INC.**
— VLSI and SMT ADAPTERS and ACCESSORIES —

759 FLYNN ROAD
CAMARILLO, CA 93012

TEL: (805) 383-8480
FAX: (805) 383-8484

SHEET: 1 OF 1	DATE: 10/29/08	REVISION: A	ASSEMBLY DRAWING
CHECKED:	DRAWN: Janice A. Gelacio	ITEM: POGO-PIN-9.40-1	DESCRIPTION: POGO-PIN-9.40-1
DO NOT SCALE DRAWING			