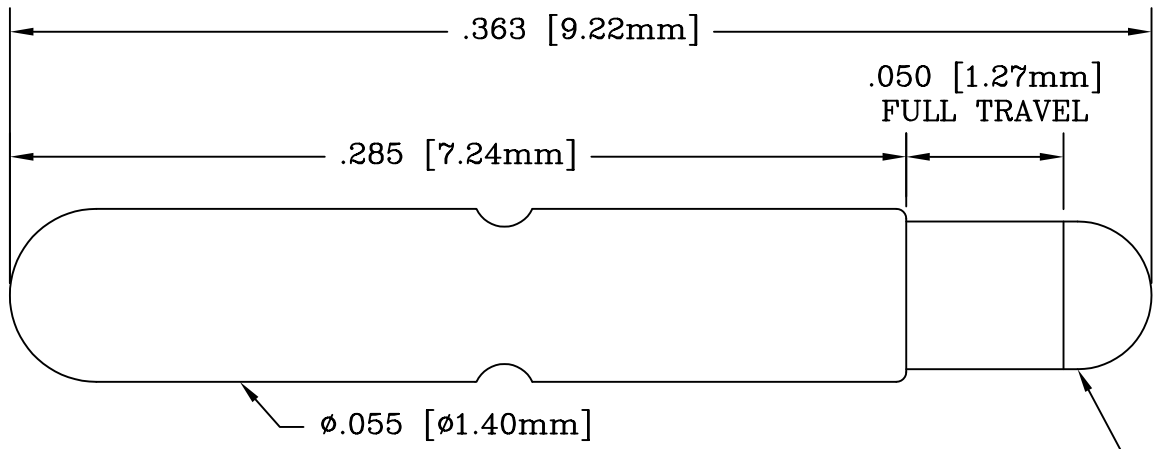


REV	DESCRIPTION	DATE	BY
A	NEW DRAWING	06/16/05	H.N.
B	UPDATED PROBE SPECIFICATIONS	06/20/06	H.N.

SKT2327



**PROBE SPECIFICATIONS:**

**MECHANICAL:**

FULL TRAVEL: .050 [1.27]  
 RECOMMENDED WORKING TRAVEL: .050 [1.27]  
 MECHANICAL LIFE EXCEEDS: 1 X 10<sup>6</sup> CYCLE

OPERATING TEMPERATURE: -55°C TO + 150°C

**ELECTRICAL: (STATIC CONDITIONS)**

CURRENT RATING: 3 AMPS  
 MAXIMUM CONTINUOUS CURRENT, NON-INDUCTIVE AT WORKING TRAVEL

PROBE RESISTANCE: 50mΩ  
 WITH A STANDARD DEVIATION OF <8mΩ@25mA TEST CURRENT.

**MATERIALS AND FINISHES:**

PLUNGER: HEAT-TREAT BERYLIUM COPPER,  
 GOLD PLATED OVER HARD NICKEL.  
 BARREL: WORK-HARDENED NICKEL SILVER, OVER HARD NICKEL.  
 SPRING: STAINLESS STEEL, SILVER PLATED.

SPRING FORCE IN OZ. (GRAMS)  
 FULL TRAVEL 3.85 (110)

ALL DIMENSIONS ARE IN INCHES UNLESS OTHERWISE SPECIFIED

**Emulation Technology, Inc.**  
 — VLSI and SMT ADAPTERS and ACCESSORIES —  
 2344 Walsh Avenue, Bldg.F Santa Clara, Ca 95051  
 TEL:(408)982-0660 FAX:(408)982-0664

SHEET: 1 OF 1	DATE: 06/16/05	REVISION: B	<b>ASSEMBLY DRAWING</b>
CHECKED: Perry Munroe	DRAWN: Huy Nguyen	ITEM: POGO-PIN-9.22-1	DESCRIPTION: POGO-PIN-9.22-1
Scale 16:1	DO NOT SCALE DRAWING		