

4

3

2

DWG NO. 1 POGO-PIN-8.00-7

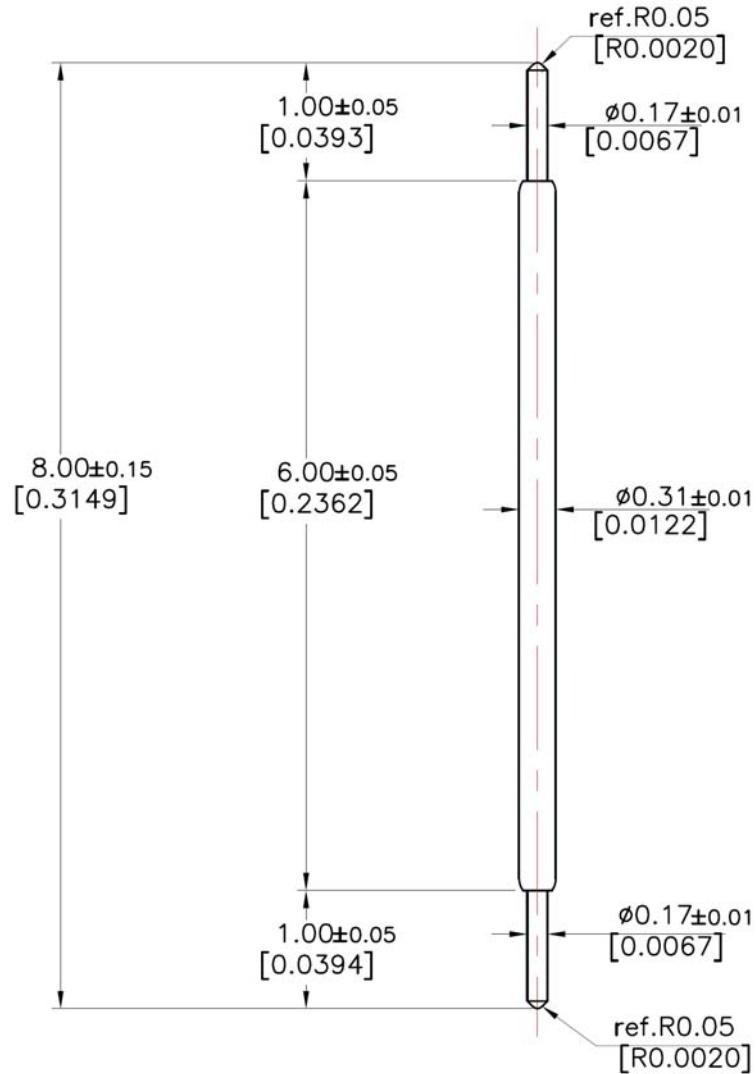
THIS DOCUMENT CONTAINS PROPRIETARY INFORMATION AND IS THE PROPERTY OF INTERCONNECT SYSTEMS INTL, LLC.. IT SHALL NOT BE REPRODUCED, COPIED, OR DISCLOSED TO THIRD PARTIES WITHOUT PRIOR WRITTEN CONSENT OF INTERCONNECT SYSTEMS INTL.



REVISION HISTORY

REV	DESCRIPTION	ECN	DATE	APRVD
1	PRELIMINARY	--	06/21/19	ET

TOP PLUNGER



BOTTOM PLUNGER

Pointing Accuracy: ± 0.04 mmSpring Force: $\pm 20\%$

STATE	TRAVEL	SPRING FORCE
Initial Travel	--	5.0g (0.176oz)
Recommended Travel	0.80mm (0.0315")	22.5g (0.794oz)
Full Travel	1.05mm (0.0413")	28.0g (0.988oz)

PART	MATERIAL	FINISH
Spring	Stainless Steel	Gold Plated
Barrel	Phosphor Bronze	Gold Plated
Top Plunger	Hardened Beryllium Copper	Gold Plated
Bottom Plunger	Hardened Beryllium Copper	Gold Plated

***NOTE:** DUT board compliance of 0.30mm travel or greater required when designing the fixture or socket. Durability of the probe may be affected if less travel is used.

CONTRACT NO. Quote # RF06181901				INTERCONNECT SYSTEMS INTL, LLC a molex company	
CAGE CODE 3F8U4		741 FLYNN ROAD, CAMARILLO, CALIFORNIA 93012 805-482-2870 MAIN 805-482-8470 FAX			
PREPARED BY R.FLORES	DATE 06/21/19	TITLE POGO PIN 0.40mm Pitch, D/D Plungers, 22.5g SF, Au Plate Finish			
DESIGNER ET	DATE 06/21/19				
CHECKER ET	DATE 06/21/19				
QA --	DATE --	SIZE A	ROHS 6/6	SCALE N/A	DRAWING NO. POGO-PIN-8.00-7
PROCESS ENG. --	DATE --	SAVED AS: POGO-PIN-8.00-7.PDF	FINISHED ASSY: --	MOLEX PART NUMBER 2220000696	REV 1

DIMENSIONS ARE IN MM, UNLESS OTHERWISE SPECIFIED TOLERANCES ARE:
 DECIMALS: X.X ±0.100 X.XX ±0.050 X.XXX ±0.025
 ANGULAR: X.XX° ±1.0° X.XX° ±0.5°

4

3

2

1

SHEET
1 OF 1